

Roll Feeder Type 480 (B758)

Roll Feeder Type 480 (B758)

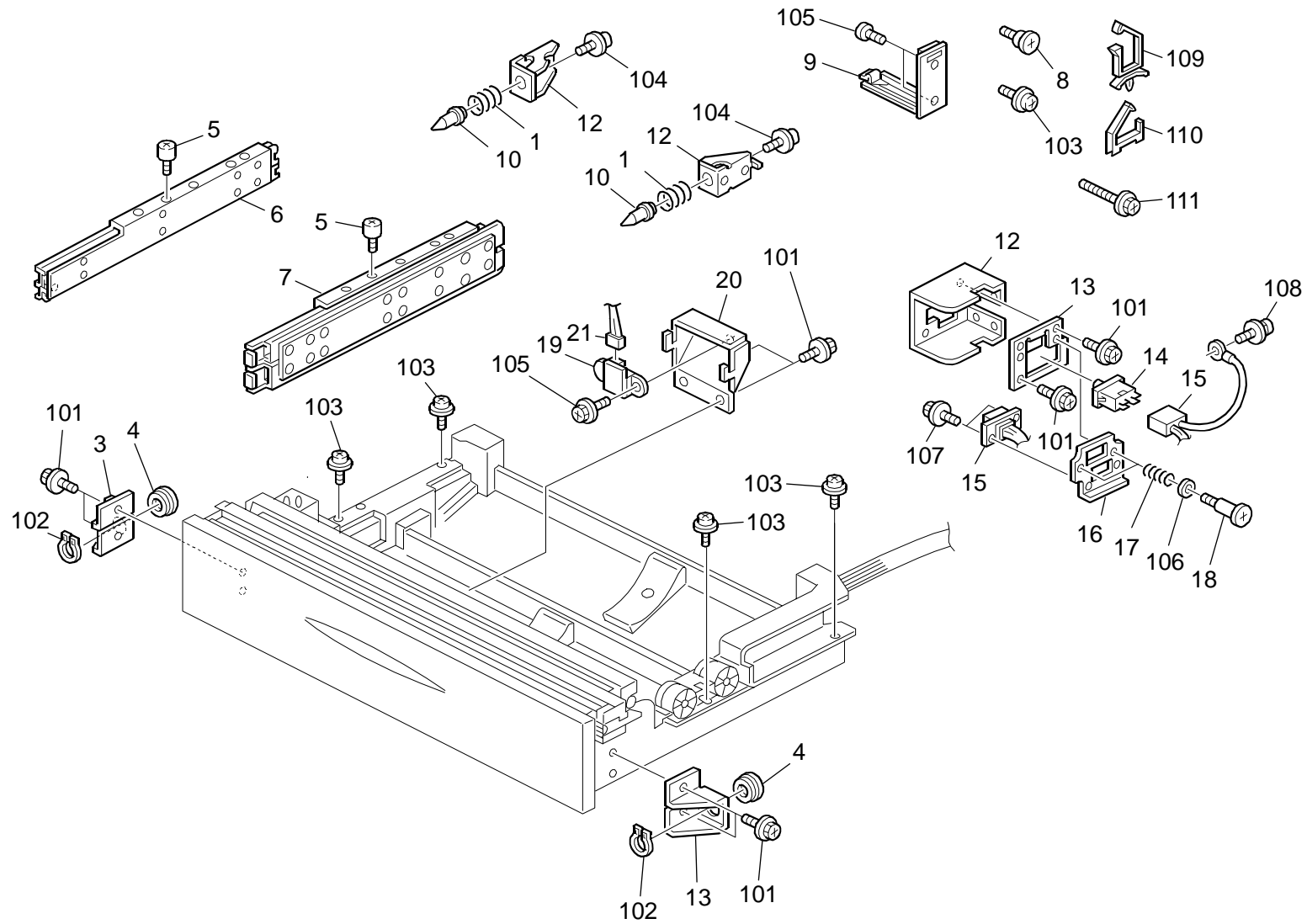
PARTS CATALOG

This catalog gives the numbers and names of parts on this machine.

| | |
|------------------------------------|-----------|
| 1.EXTERIOR (B758)..... | 2 |
| 2.ROLL PAPER HOLDER (B758) | 4 |
| 3.ROLL PAPER FEED 1 (B758)..... | 6 |
| 4.ROLL PAPER FEED 2 (B758)..... | 8 |
| 5.ROLL PAPER FEED 3 (B758)..... | 10 |
| 6.FRAME SECTION 1 (B758)..... | 12 |
| 7.FRAME SECTION 2 (B758)..... | 14 |
| 8.DECALS AND DOCUMENTS (B758)..... | 16 |
| PARTS INDEX..... | 19 |

April ,28 ' 2005

1.EXTERIOR (B758)

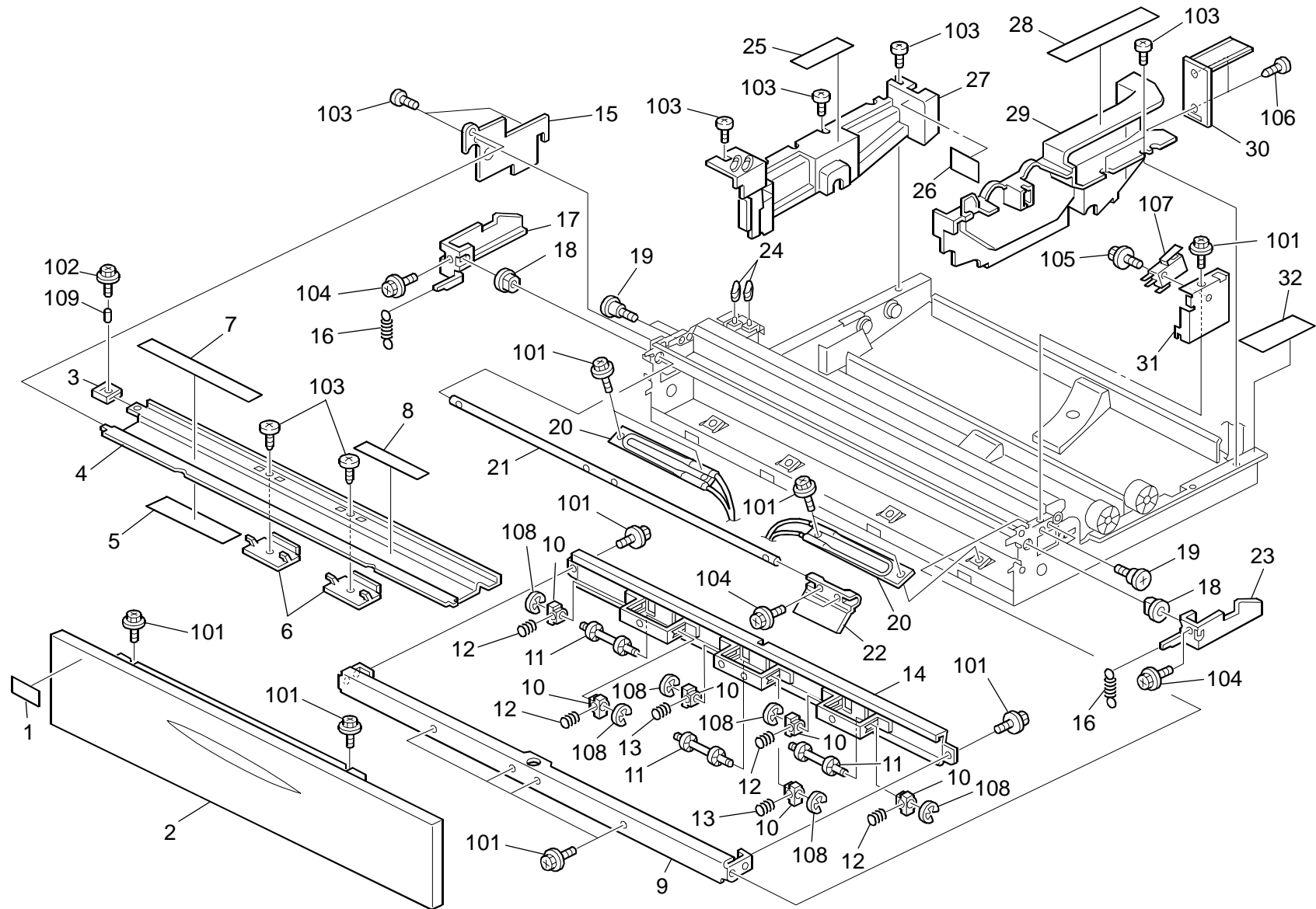


1.EXTERIOR (B758)

| Index No. | Part No. | Description | Q'ty Per Assembly |
|-----------|-----------|-----------------------------------|-------------------|
| 1 | B188 2979 | Bracket:Pin | 2 |
| 2 | B188 2977 | Stopper:Right | 1 |
| 3 | B188 2975 | Stopper:Left | 1 |
| 4 | AA08 0049 | Bushing - 10x18 | 2 |
| 5 | 5918 3120 | Stud - M4 | 6 |
| 6 | B188 2936 | Slide Rail:Left:Ass'y | 1 |
| 7 | B188 2938 | Slide Rail:Right:Ass'y | 1 |
| 8 | AA14 3718 | Stepped Screw - M4 | 8 |
| 9 | B010 2947 | Harness Clamp - FCW-52 | 3 |
| 10 | B010 2916 | Positioning Pin | 2 |
| 11 | AA06 3612 | Compression Spring - Tray Release | 2 |
| 12 | B188 2954 | Guide Plate | 1 |
| 13 | B188 2958 | Cable:Connector | 1 |
| 14 | AW50 0029 | Safety Switch - FA1L-AA20 | 1 |
| 15 | B189 5764 | Harness:Lower Paper Feed:Option | 1 |
| 16 | B010 2956 | Connector Bracket | 1 |
| 17 | AA06 0976 | Spring:Connector | 2 |
| 18 | AA14 3253 | Pin - Lever - Paper Spool Unit | 2 |
| 19 | AW01 0121 | Paper End Sensor | 2 |
| 20 | B189 2632 | Bracket:Paper End Sensor | 1 |
| 21 | B189 5842 | Harness:Lower Paper Feed:Option2 | 1 |

| Index No. | Part No. | Description | Q'ty Per Assembly |
|-----------|------------|-----------------------------------|-------------------|
| 101 | 0451 4008N | Tapping Screw:4x8 | |
| 102 | 0725 0140E | Retaining Ring (C Type) - M14 | |
| 103 | 0951 4006N | Screw:Polished Round:M4x6 | |
| 104 | 0954 5010N | Screw:Polished Round/Spring:M5x10 | |
| 105 | 0802 5291 | Tapping Screw:Round Point:M3x6 | |
| 106 | 0701 0050N | Washer:Dia5 | |
| 107 | 0451 4010N | Tapping Screw:4x10 | |
| 108 | 0950 4006N | Screw:Spring Washer:M4x6 | |
| 109 | 1105 0517 | Harness Clamp - LWS-2111Z | |
| 110 | 1105 0518 | Edge Saddle - LES-1010 | |
| 111 | 0451 4014N | Tapping Screw:M4x14 | |

2.ROLL PAPER HOLDER (B758)

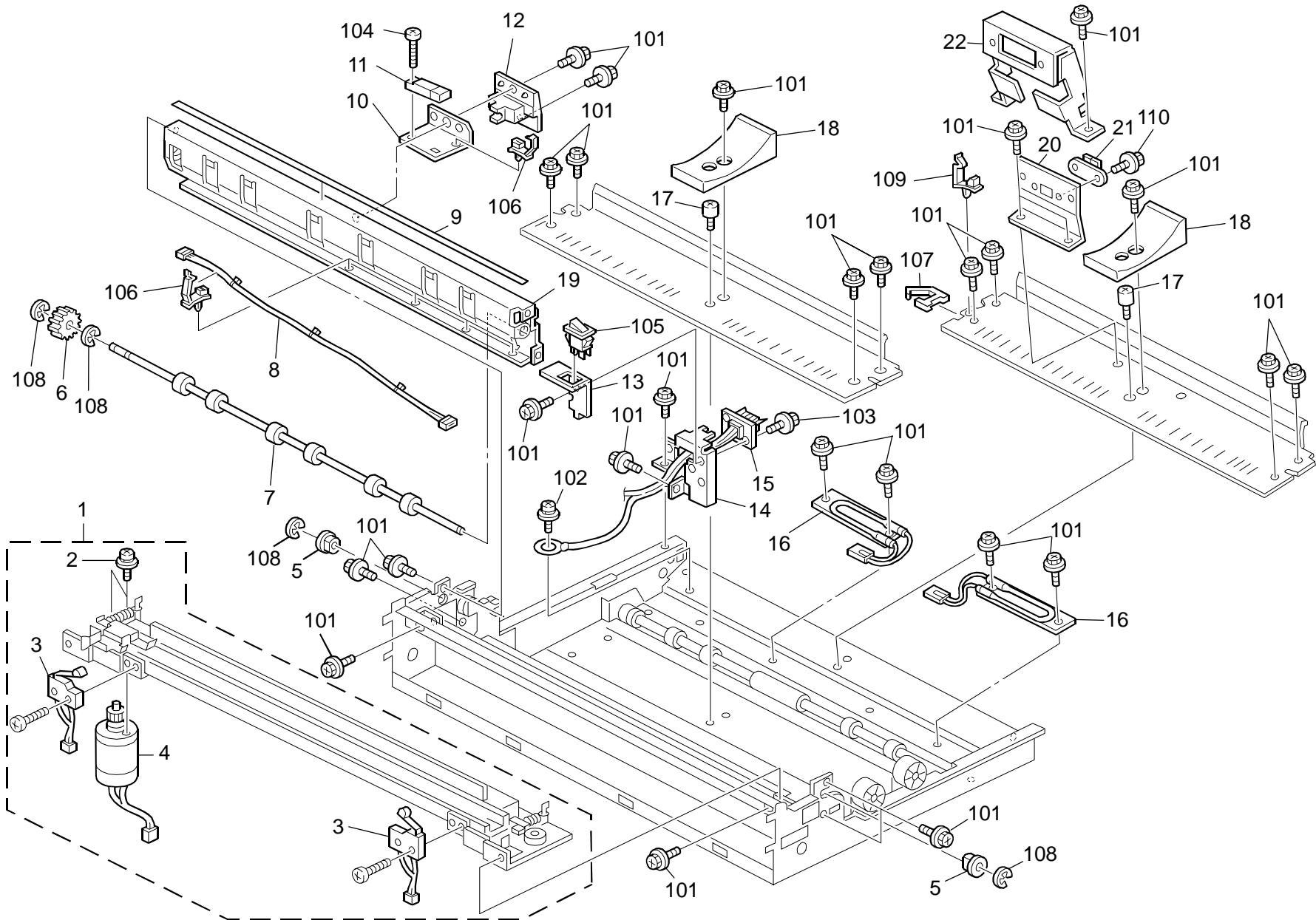


2.ROLL PAPER HOLDER (B758)

| Index No. | Part No. | Description | Q'ty Per Assembly |
|-----------|-----------|-----------------------------------|-------------------|
| 1 | B189 2846 | Decal:Paper Tray:Display:3.4 | 1 |
| 2 | B188 2930 | Cover:Front | 1 |
| 3 | A353 2243 | Lever Knob | 1 |
| 4 | B188 2704 | Holder:Roll Paper | 1 |
| 5 | B188 2823 | Decal:Roll Paper:Caution Chart:NA | 1 |
| 6 | B010 2717 | Exit Guide Roller | 2 |
| 7 | B188 2835 | Decal:Operate:Roll Paper:1 | 1 |
| 8 | B188 2841 | Decal:Operate:Roll Paper:2 | 1 |
| 9 | B188 2716 | Stay:Guide Plate:Exit | 1 |
| 10 | AA08 0203 | Bushing - 6mm | 6 |
| 11 | AF02 2034 | Exit Roller | 3 |
| 12 | AA06 3122 | Exit Roller Spring | 4 |
| 13 | AA06 0974 | Spring:Pressure:Brush Roller | 2 |
| 14 | B189 2711 | Guide Plate:Exit:Outer | 1 |
| 15 | B188 2773 | Cover:Cutter Unit:Left | 1 |
| 16 | 5403 1030 | Tension Spring | 2 |
| 17 | B188 2896 | Lever:Lock:Left | 1 |
| 18 | 5053 0223 | Bushing - 8mm | 8 |
| 19 | AA14 3718 | Stepped Screw - M4 | 8 |
| 20 | AX40 0188 | Heater:120V:13W | 2 |
| 20 | AX40 0189 | Heater:230V:13W | 2 |
| 21 | B010 2902 | Lever Shaft | 1 |
| 22 | B010 2900 | Grip Lever | 1 |
| 23 | B188 2898 | Lever:Lock:Right | 1 |
| 24 | B010 2978 | Keytop | 2 |
| 25 | B188 2824 | Decal:Operate:Holder:EXP | 1 |
| 26 | B188 2846 | Decal:Dehumidifier:Switch | 1 |
| 27 | B189 2934 | Inner Cover:Left:Lower Position | 1 |
| 28 | B010 2842 | Decal - Paper Hodler Operate | 1 |
| 29 | B010 2932 | Right Inner Cover | 1 |
| 30 | B010 2947 | Harness Clamp - FCW-52 | 3 |
| 31 | B188 2705 | Bracket:Micro Switch | 1 |
| 32 | B010 2827 | Right Sheet - Side Plate | 1 |

| Index No. | Part No. | Description | Q'ty Per Assembly |
|-----------|------------|---------------------------------|-------------------|
| 101 | 0451 4008N | Tapping Screw:4x8 | |
| 102 | 0454 3008Q | Tapping Screw:3x8 | |
| 103 | 0453 4008N | Binding Self Tapping Screw:4x8 | |
| 104 | 0451 4010N | Tapping Screw:4x10 | |
| 105 | 0451 3014N | Tapping Screw:3x14 | |
| 106 | 0452 3010N | Binding Self-Tapping Screw:3x10 | |
| 107 | 1204 2466 | Micro Switch - V-16506-1c25 | |
| 108 | 0720 0040E | Retaining Ring - M4 | |
| 109 | 0707 4020N | Bushing:DIA4x2 | |

3.ROLL PAPER FEED 1 (B758)

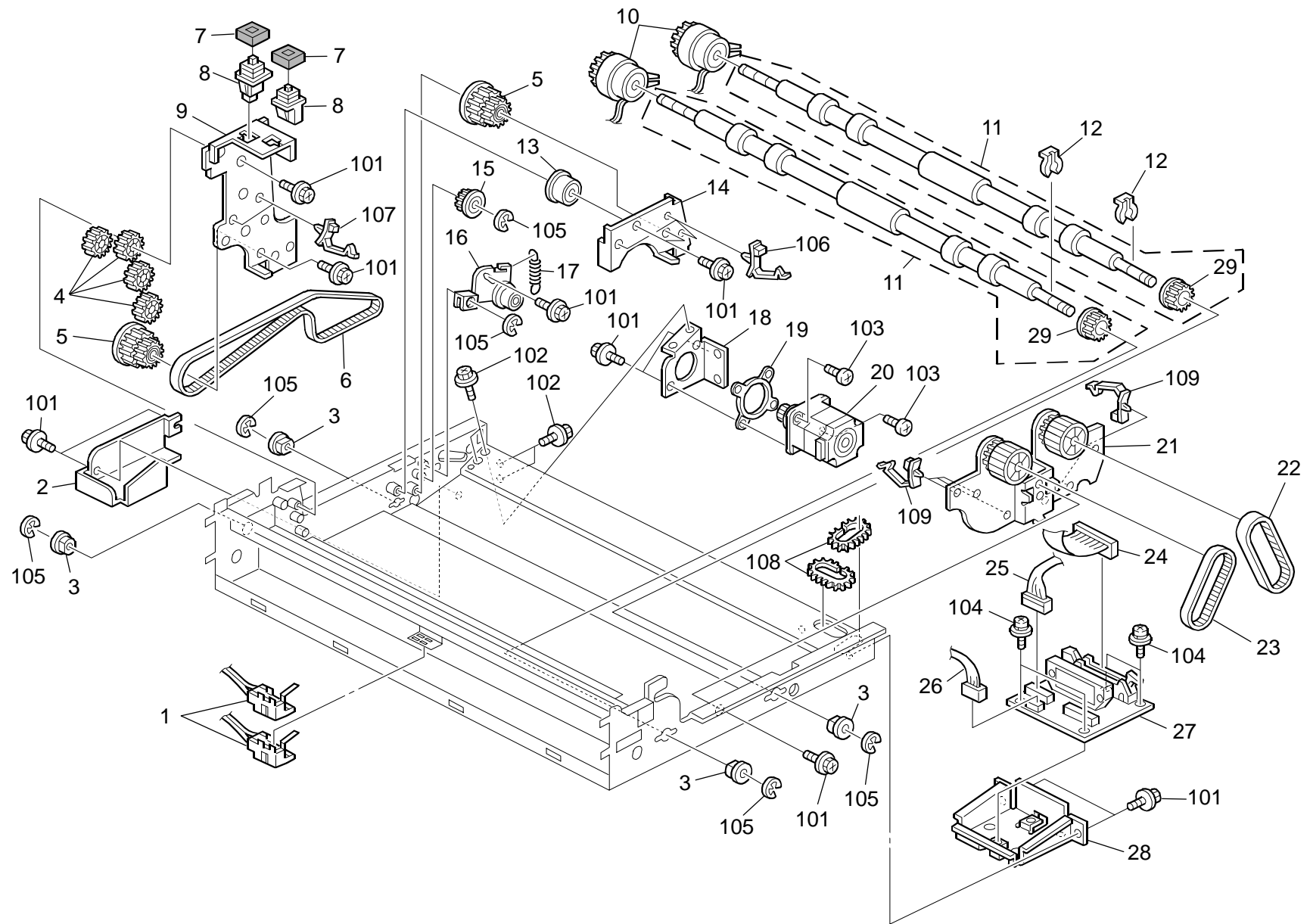


3.ROLL PAPER FEED 1 (B758)

| Index No. | Part No. | Description | Q'ty Per Assembly |
|-----------|------------------|---|-------------------|
| 1 | B188 2923 | Cutter Unit | 1 |
| 2 | A571 7700 | Screw:Spring Washer:M2.6X5 | 2 |
| 3 | B188 2844 | Micro Switch:Dolphin:Ass'y | 2 |
| 4 | B188 2854 | DC Motor:Ass'y | 1 |
| 5 | 5053 0223 | Bushing - 8mm | 8 |
| 6 | AB01 1413 | Drive Gear - 27z | 1 |
| 7 | AF02 0525 | Exhaust Drive Roller | 1 |
| 8 | B189 5833 | Harness:Lower Paper Feed:Option1 | 1 |
| 9 | B010 2846 | Decal - Paper Size Indication | 1 |
| 9 | B010 2826 | Decal - Paper Size | 1 |
| 10 | B189 2725 | Guide Plate:Paper Feed Sensor | 1 |
| 11 | AW01 0111 | Paper Feed Sensor | 1 |
| 12 | B010 2726 | Roller Guide Plate | 1 |
| 13 | B188 2820 | Bracket:Rocker Switch | 1 |
| 14 | B188 2950 | Bracket:Connector:Tray | 1 |
| 15 | B188 5767 | Harness:Upper Paper Feed | 1 |
| 16 | AX40 0188 | Heater:120V:13W | 2 |
| 16 | AX40 0189 | Heater:230V:13W | 2 |
| 17 | 5918 3120 | Stud - M4 | 6 |
| 18 | B641 2794 | Holder:Paper Holder:Middle | 2 |
| 19 | B189 2723 | Guide Plate:Exit:Inner | 1 |
| 20 | B189 2858 | Bracket:Paper End Sensor Board:Rear | 1 |
| 21 | AW01 0121 | Paper End Sensor | 2 |
| 22 | B189 2860 | Bracket:Paper End Sensor:Rear:Auxiliary | 1 |

| Index No. | Part No. | Description | Q'ty Per Assembly |
|-----------|------------|--------------------------------|-------------------|
| 101 | 0451 4008N | Tapping Screw:4x8 | |
| 102 | 0950 4006N | Screw:Spring Washer:M4x6 | |
| 103 | 0451 4010N | Tapping Screw:4x10 | |
| 104 | 0353 0120N | Screw M3x12 | |
| 105 | 1204 2499 | Switch:AC250V/10A | |
| 106 | 1105 0511 | Harness Clamp - LWS-0306ZC | |
| 107 | 1105 0522 | Edge Saddle - LES0510 | |
| 108 | 0720 0060E | Retaining Ring - M6 | |
| 109 | 1105 0516 | Clamp | |
| 110 | 0802 5291 | Tapping Screw:Round Point:M3x6 | |

4.ROLL PAPER FEED 2 (B758)

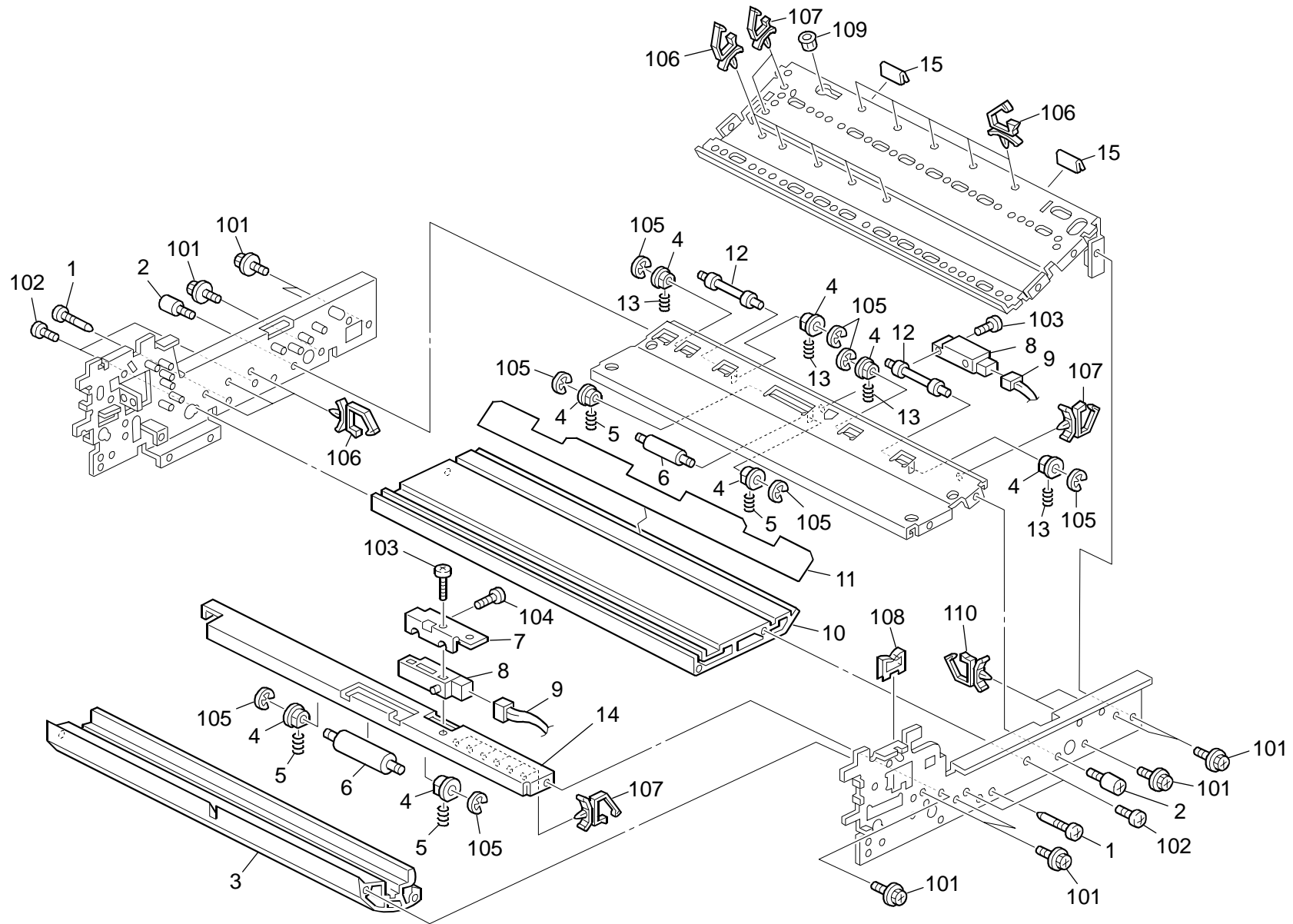


4.ROLL PAPER FEED 2 (B758)

| Index No. | Part No. | Description | Q'ty Per Assembly |
|-----------|-----------|------------------------------------|-------------------|
| 1 | AW02 0168 | Paper Feed Sensor | 2 |
| 2 | B188 2816 | Cover:Motor | 1 |
| 3 | 5053 0223 | Bushing - 8mm | 8 |
| 4 | AB01 1412 | Gear - 36Z | 4 |
| 5 | AB01 7527 | Gear Pulley - 37Z/40T | 2 |
| 6 | B010 2856 | Timing Belt - 954 | 1 |
| 7 | B010 2979 | Switch Plate | 2 |
| 8 | AW50 0012 | Push Switch | 2 |
| 9 | B188 2878 | Stay:Upper | 1 |
| 10 | AX21 0091 | Registration Clutch | 2 |
| 11 | B188 2733 | Feed Roller:Ass'y | 2 |
| 12 | 5215 2621 | Snap Ring - M6 | 2 |
| 13 | AB03 0677 | Pulley - 23MM | 1 |
| 14 | B188 2880 | Stay:Inner Back | 1 |
| 15 | AB03 0678 | Timing Pulley - 25T | 1 |
| 16 | B188 2868 | Tightener:Ass'y | 1 |
| 17 | AA06 0854 | Tightener Spring | 1 |
| 18 | B188 2876 | Bracket:Motor | 1 |
| 19 | B188 2579 | Motor Cushion | 1 |
| 20 | AX06 0295 | Stepper Motor:MM56:DC24V | 1 |
| 21 | B188 2968 | Bracket:Knob | 1 |
| 22 | B010 2966 | Timing Belt - S2M 334 | 1 |
| 23 | B010 2964 | Timing Belt - S2M 252 | 1 |
| 24 | B189 5891 | Harness:DC:Motor Control Board | 1 |
| 25 | B189 5840 | Harness:DC:Lower Paper Feed:Option | 1 |
| 26 | B188 5787 | Harness:Siro-Sikan-Kenti | 1 |
| 27 | B188 5450 | PCB:RFDB | 1 |
| 28 | B188 2943 | Guide Plate:Base:Tray | 1 |
| 29 | AB03 0679 | Timing Pulley - 32T | 2 |

| Index No. | Part No. | Description | Q'ty Per Assembly |
|-----------|------------|--------------------------------|-------------------|
| 101 | 0451 4008N | Tapping Screw:4x8 | |
| 102 | 0451 4010N | Tapping Screw:4x10 | |
| 103 | 0453 4008N | Binding Self Tapping Screw:4x8 | |
| 104 | 0951 3006N | Screw - M3X6 | |
| 105 | 0720 0060E | Retaining Ring - M6 | |
| 106 | 1105 0511 | Harness Clamp - LWS-0306ZC | |
| 107 | 1105 0516 | Clamp | |
| 108 | 1106 0493 | Edging | |
| 109 | 1105 0487 | Harness Clamp | |

5.ROLL PAPER FEED 3 (B758)

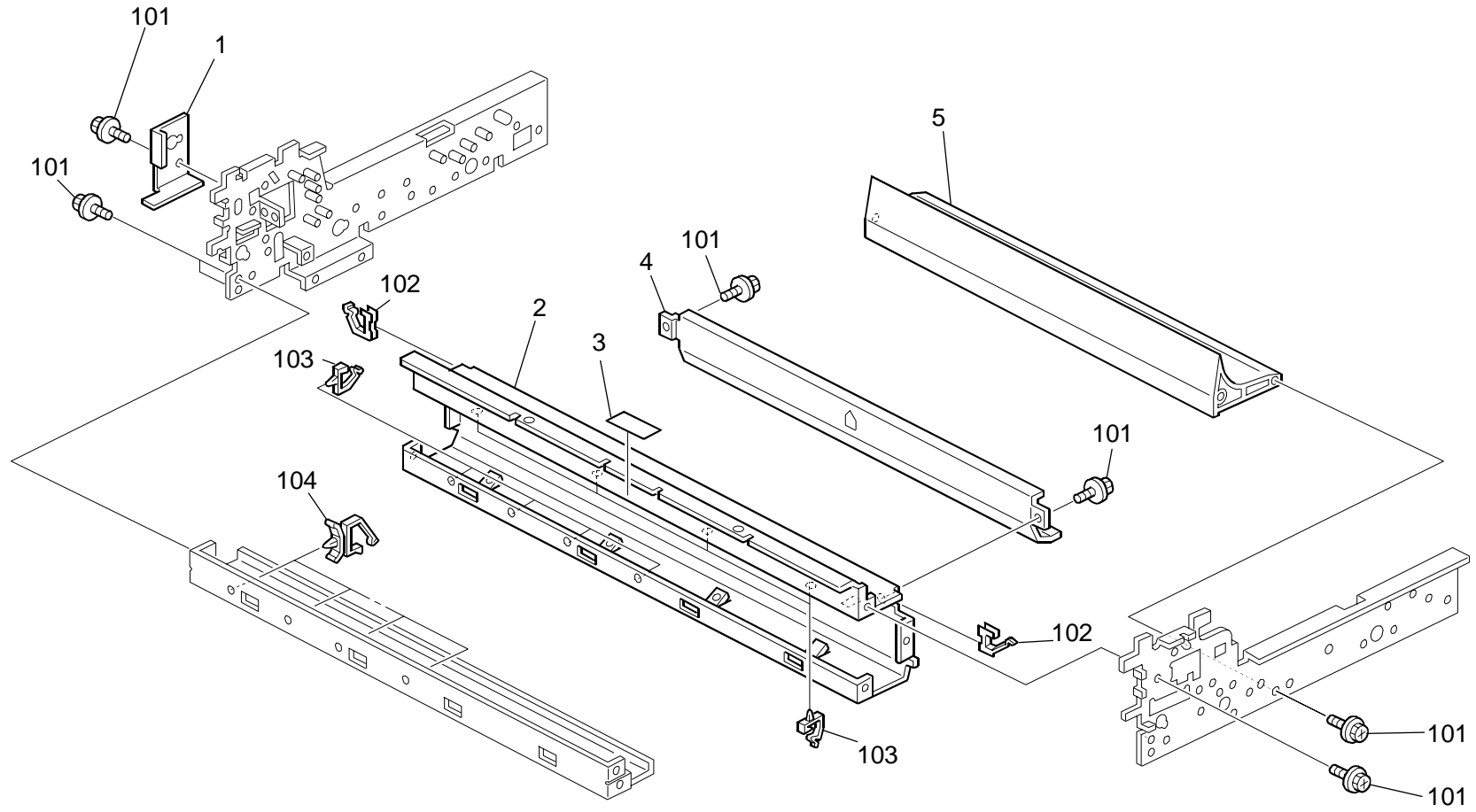


5.ROLL PAPER FEED 3 (B758)

| Index No. | Part No. | Description | Q'ty Per Assembly |
|-----------|-----------|----------------------------------|-------------------|
| 1 | AA14 3788 | Pin:Guide Plate:Paper Feed | 2 |
| 2 | 5918 3120 | Stud - M4 | 6 |
| 3 | B010 2768 | Upper Guide Plate - Connecting | 1 |
| 4 | AA08 0037 | Bushing - 6mm | 8 |
| 5 | AA06 0975 | Spring:Middle:Pressure | 4 |
| 6 | AF02 0108 | Paper Feed Roller - Middle | 2 |
| 7 | B188 2798 | Bracket:Paper Feed Sensor | 1 |
| 8 | AW01 0110 | Paper Feed Sensor | 2 |
| 9 | B188 5786 | Harness:Paper End Sensor | 2 |
| 10 | B010 2756 | Front Base | 1 |
| 11 | B188 2865 | Guide:Feed Roller:Exit | 1 |
| 12 | AF02 0109 | Paper Feed Roller - Side | 2 |
| 13 | AA06 6368 | Spring - Exit | 8 |
| 14 | B189 2612 | Guide Plate:Lower:Lower Position | 1 |
| 15 | B188 6196 | Gasket:Guide Plate:Upper Front | 2 |

| Index No. | Part No. | Description | Q'ty Per Assembly |
|-----------|------------|---------------------------------|-------------------|
| 101 | 0451 4008N | Tapping Screw:4x8 | |
| 102 | 0453 4010N | Binding Self Tapping Screw:4x10 | |
| 103 | 0353 0140N | Screw:M3x14 | |
| 104 | 0353 0120N | Screw M3x12 | |
| 105 | 0720 0040E | Retaining Ring - M4 | |
| 106 | 1105 0516 | Clamp | |
| 107 | 1105 0511 | Harness Clamp - LWS-0306ZC | |
| 108 | 1105 0329 | Clamp - ES-0510 | |
| 109 | 1106 0411 | Bushing - 11.5mm | |
| 110 | 1105 0487 | Harness Clamp | |

6.FRAME SECTION 1 (B758)

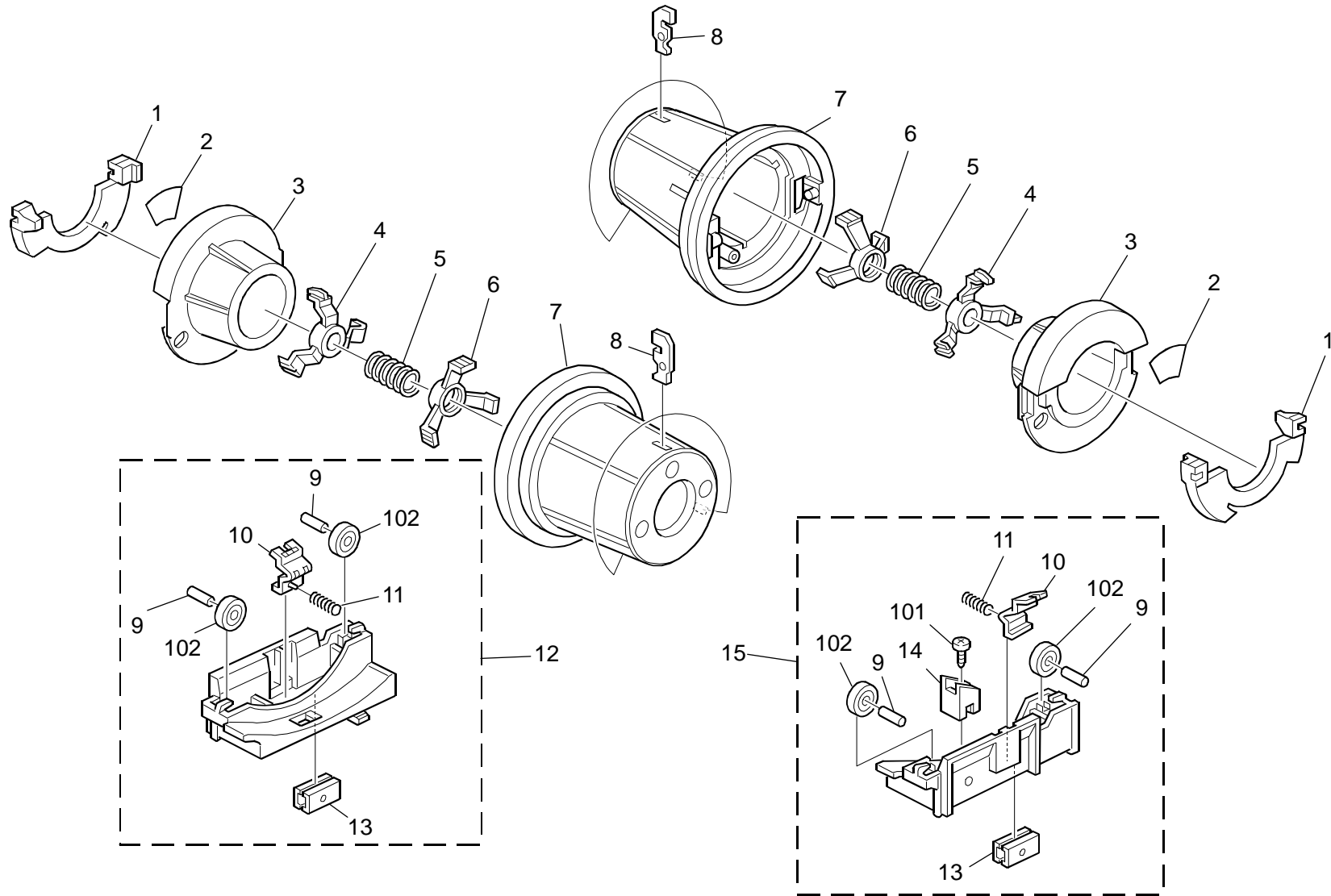


6.FRAME SECTION 1 (B758)

| Index No. | Part No. | Description | Q'ty Per Assembly |
|-----------|-----------|-------------------------------------|-------------------|
| 1 | B188 2786 | Cover:Mechanical Drive Section:Fron | 1 |
| 2 | B189 2872 | Guide Plate:Vertical Transport | 1 |
| 3 | AA00 0646 | Decal:Cutter:Caution Chart:EXP | 1 |
| 4 | B188 2740 | Guide Plate:Upper:Peen | 1 |
| 5 | B010 2770 | Lower Guide Plate - Connecting | 1 |

| Index No. | Part No. | Description | Q'ty Per Assembly |
|-----------|------------|----------------------------|-------------------|
| 101 | 0451 4008N | Tapping Screw:4x8 | |
| 102 | 1105 0522 | Edge Saddle - LES0510 | |
| 103 | 1105 0516 | Clamp | |
| 104 | 1105 0511 | Harness Clamp - LWS-0306ZC | |

7.FRAME SECTION 2 (B758)

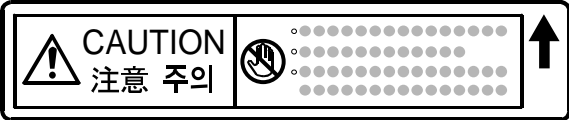
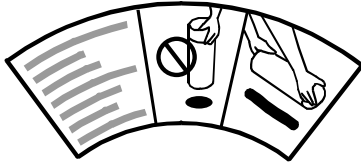
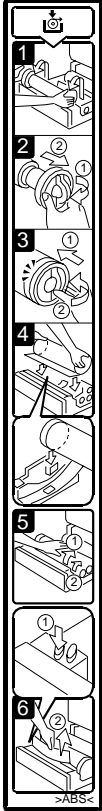
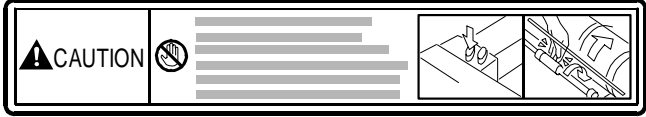
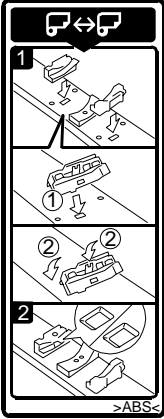
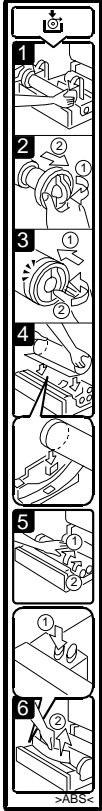
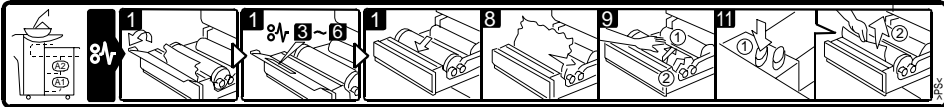
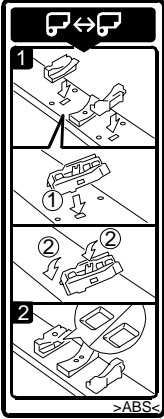
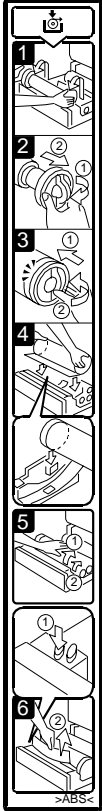
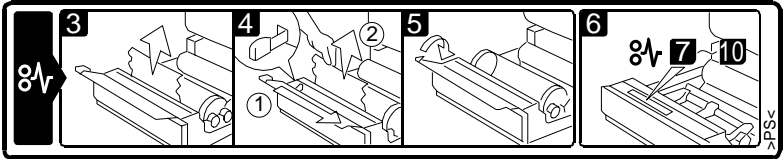
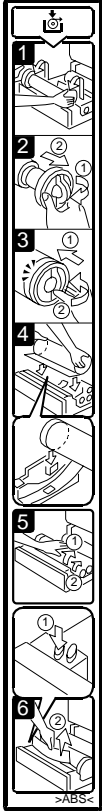


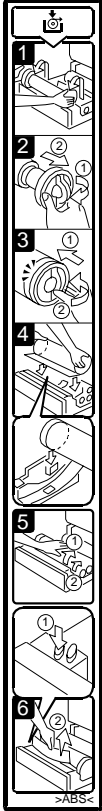


7.FRAME SECTION 2 (B758)

| Index No. | Part No. | Description | Q'ty Per Assembly |
|-----------|-----------|----------------------------|-------------------|
| 1 | B353 2773 | Paper Holder Lock Lever | 4 |
| 2 | B353 2778 | Decal - Paper Holder Chart | 4 |
| 3 | B353 2772 | Paper Holder Stopper | 4 |
| 4 | B353 2774 | Arm Stopper Pawl | 4 |
| 5 | B353 2776 | Lock Compression Spring | 4 |
| 6 | B353 2777 | Upper Arm Stopper Pawl | 4 |
| 7 | B353 2771 | Roll Paper Holder | 4 |
| 8 | B353 2775 | Paper Holder Pawl | 12 |
| 9 | B353 2765 | Roller Shaft | 8 |
| 10 | B353 2766 | Paper Holder Brake | 4 |
| 11 | B353 2767 | Brake Compression Spring | 4 |
| 12 | B188 2808 | Holder:Left | 1 |
| 13 | AG07 0514 | Magnet Catch:Ass'y | 4 |
| 14 | B353 2768 | Positioning Plate | 2 |
| 15 | B188 2810 | Holder:Right | 1 |

| Index No. | Part No. | Description | Q'ty Per Assembly |
|-----------|------------|---------------------------------|-------------------|
| 101 | 0452 3010N | Binding Self-tapping Screw:3x10 | |
| 102 | 0740 3008 | Ball Bearing - 8x22x7 | |

8.DECALS AND DOCUMENTS (B758)

| | | | | | | | | | | | | | | | | | | | | |
|--|--|---|----|-------|-----------------|--------------------|--|-----------------|---------------|--|----------------|--------------------|--|-----------------|--|--|---------|---------|----------|--|
| <p>1</p>  | <p>2</p>  | <p>3</p>  | | | | | | | | | | | | | | | | | | |
| <p>4</p>  | <p>5</p>  |  | | | | | | | | | | | | | | | | | | |
| <p>6</p>  |  |  | | | | | | | | | | | | | | | | | | |
| <p>7</p>  | <p>8</p> <table border="1"> <tr> <td>○ Off</td> <td> On</td> <td>>ABS<</td> </tr> <tr> <td>◦ Anti-humidity</td> <td>◦ Antikondensation</td> <td></td> </tr> <tr> <td>◦ Anti-humidite</td> <td>◦ Antiumidita</td> <td></td> </tr> <tr> <td>◦ Anti-humidad</td> <td>◦ Anti-vochtigheid</td> <td></td> </tr> <tr> <td>◦ Anti-humidade</td> <td></td> <td></td> </tr> <tr> <td>◦ 除湿加熱器</td> <td>◦ 제습 히터</td> <td>◦ 除湿ヒーター</td> </tr> </table> | ○ Off | On | >ABS< | ◦ Anti-humidity | ◦ Antikondensation | | ◦ Anti-humidite | ◦ Antiumidita | | ◦ Anti-humidad | ◦ Anti-vochtigheid | | ◦ Anti-humidade | | | ◦ 除湿加熱器 | ◦ 제습 히터 | ◦ 除湿ヒーター |  |
| ○ Off | On | >ABS< | | | | | | | | | | | | | | | | | | |
| ◦ Anti-humidity | ◦ Antikondensation | | | | | | | | | | | | | | | | | | | |
| ◦ Anti-humidite | ◦ Antiumidita | | | | | | | | | | | | | | | | | | | |
| ◦ Anti-humidad | ◦ Anti-vochtigheid | | | | | | | | | | | | | | | | | | | |
| ◦ Anti-humidade | | | | | | | | | | | | | | | | | | | | |
| ◦ 除湿加熱器 | ◦ 제습 히터 | ◦ 除湿ヒーター | | | | | | | | | | | | | | | | | | |
| <p>9</p>  | <p>10</p>  |  | | | | | | | | | | | | | | | | | | |

8.DECALS AND DOCUMENTS (B758)

| Index No. | Part No. | Description | Q'ty Per Assembly |
|-----------|-----------|-----------------------------------|-------------------|
| 1 | AA00 0646 | Decal:Cutter:Caution Chart:EXP | 1 |
| 2 | B353 2778 | Decal - Paper Holder Chart | 1 |
| 3 | B010 2842 | Decal - Paper Hodler Operate | 1 |
| 4 | B188 2823 | Decal:Roll Paper:Caution Chart:NA | 1 |
| 5 | B188 2824 | Decal:Operate:Holder:EXP | 1 |
| 6 | B188 2835 | Decal:Operate:Roll Paper:1 | 1 |
| 7 | B188 2841 | Decal:Operate:Roll Paper:2 | 1 |
| 8 | B188 2846 | Decal:Dehumidifier:Switch | 2 |
| 9 | B189 2846 | Decal:Paper Tray:Display:3.4 | 1 |
| 10 | B010 2826 | Decal - Paper Size | 2 |

| Index No. | Part No. | Description | Q'ty Per Assembly |
|-----------|----------|-------------|-------------------|
| | | | |

Parts Index

PM Parts Index

| Section Name | Part No. | Description in Service Manual | Description in Parts Catalog | Q'ty Per Assembly | Page and Index No. |
|--------------------------|-----------|-------------------------------|------------------------------|-------------------|--------------------|
| ROLL PAPER FEED 1 (B758) | B188 2923 | Cutter Unit | Cutter Unit | 1 | 7 - 1 |

Parts Index

| Part No. | Description | Page and Index No. |
|-----------|-------------------------------------|--------------------|
| A353 2243 | Lever Knob | 5 - 3 |
| A571 7700 | Screw:Spring Washer:M2.6X5 | 7 - 2 |
| B010 2717 | Exit Guide Roller | 5 - 6 |
| B010 2726 | Roller Guide Plate | 7 - 12 |
| B010 2756 | Front Base | 11 - 10 |
| B010 2768 | Upper Guide Plate - Connecting | 11 - 3 |
| B010 2770 | Lower Guide Plate - Connecting | 13 - 5 |
| B010 2826 | Decal - Paper Size | 17 - 10 |
| B010 2826 | Decal - Paper Size | 7 - 9 |
| B010 2827 | Right Sheet - Side Plate | 5 - 32 |
| B010 2842 | Decal - Paper Hodler Operate | 5 - 28 |
| B010 2842 | Decal - Paper Hodler Operate | 17 - 3 |
| B010 2846 | Decal - Paper Size Indication | 7 - 9 |
| B010 2856 | Timing Belt - 954 | 9 - 6 |
| B010 2900 | Grip Lever | 5 - 22 |
| B010 2902 | Lever Shaft | 5 - 21 |
| B010 2916 | Positioning Pin | 3 - 10 |
| B010 2932 | Right Inner Cover | 5 - 29 |
| B010 2947 | Harness Clamp - FCW-52 | 5 - 30 |
| B010 2947 | Harness Clamp - FCW-52 | 3 - 9 |
| B010 2956 | Connector Bracket | 3 - 16 |
| B010 2964 | Timing Belt - S2M 252 | 9 - 23 |
| B010 2966 | Timing Belt - S2M 334 | 9 - 22 |
| B010 2978 | Keytop | 5 - 24 |
| B010 2979 | Switch Plate | 9 - 7 |
| B188 2579 | Motor Cushion | 9 - 19 |
| B188 2704 | Holder:Roll Paper | 5 - 4 |
| B188 2705 | Bracket:Micro Switch | 5 - 31 |
| B188 2716 | Stay:Guide Plate:Exit | 5 - 9 |
| B188 2733 | Feed Roller:Ass'y | 9 - 11 |
| B188 2740 | Guide Plate:Upper:Peen | 13 - 4 |
| B188 2773 | Cover:Cutter Unit:Left | 5 - 15 |
| B188 2786 | Cover:Mechanical Drive Section:Fron | 13 - 1 |
| B188 2798 | Bracket:Paper Feed Sensor | 11 - 7 |
| B188 2808 | Holder:Left | 15 - 12 |

| Part No. | Description | Page and Index No. |
|-----------|-----------------------------------|--------------------|
| B188 2810 | Holder:Right | 15 - 15 |
| B188 2816 | Cover:Motor | 9 - 2 |
| B188 2820 | Bracket:Rocker Switch | 7 - 13 |
| B188 2823 | Decal:Roll Paper:Caution Chart:NA | 17 - 4 |
| B188 2823 | Decal:Roll Paper:Caution Chart:NA | 5 - 5 |
| B188 2824 | Decal:Operate:Holder:EXP | 5 - 25 |
| B188 2824 | Decal:Operate:Holder:EXP | 17 - 5 |
| B188 2835 | Decal:Operate:Roll Paper:1 | 17 - 6 |
| B188 2835 | Decal:Operate:Roll Paper:1 | 5 - 7 |
| B188 2841 | Decal:Operate:Roll Paper:2 | 17 - 7 |
| B188 2841 | Decal:Operate:Roll Paper:2 | 5 - 8 |
| B188 2844 | Micro Switch:Dolphin:Ass'y | 7 - 3 |
| B188 2846 | Decal:Dehumidifier:Switch | 17 - 8 |
| B188 2846 | Decal:Dehumidifier:Switch | 5 - 26 |
| B188 2854 | DC Motor:Ass'y | 7 - 4 |
| B188 2865 | Guide:Feed Roller:Exit | 11 - 11 |
| B188 2868 | Tightener:Ass'y | 9 - 16 |
| B188 2876 | Bracket:Motor | 9 - 18 |
| B188 2878 | Stay:Upper | 9 - 9 |
| B188 2880 | Stay:Inner Back | 9 - 14 |
| B188 2896 | Lever:Lock:Left | 5 - 17 |
| B188 2898 | Lever:Lock:Right | 5 - 23 |
| B188 2923 | Cutter Unit | 7 - 1 |
| B188 2930 | Cover:Front | 5 - 2 |
| B188 2936 | Slide Rail:Left:Ass'y | 3 - 6 |
| B188 2938 | Slide Rail:Right:Ass'y | 3 - 7 |
| B188 2943 | Guide Plate:Base:Tray | 9 - 28 |
| B188 2950 | Bracket:Connector:Tray | 7 - 14 |
| B188 2954 | Guide Plate | 3 - 12 |
| B188 2958 | Cable:Connector | 3 - 13 |
| B188 2968 | Bracket:Knob | 9 - 21 |
| B188 2975 | Stopper:Left | 3 - 3 |
| B188 2977 | Stopper:Right | 3 - 2 |
| B188 2979 | Bracket:Pin | 3 - 1 |
| B188 5450 | PCB:RFDB | 9 - 27 |

| Part No. | Description | Page and Index No. |
|-----------|---|--------------------|
| B188 5767 | Harness:Upper Paper Feed | 7 - 15 |
| B188 5786 | Harness:Paper End Sensor | 11 - 9 |
| B188 5787 | Harness:Siro-Sikan-Kenti | 9 - 26 |
| B188 6196 | Gasket:Guide Plate:Upper Front | 11 - 15 |
| B189 2612 | Guide Plate:Lower:Lower Position | 11 - 14 |
| B189 2632 | Bracket:Paper End Sensor | 3 - 20 |
| B189 2711 | Guide Plate:Exit:Outer | 5 - 14 |
| B189 2723 | Guide Plate:Exit:Inner | 7 - 19 |
| B189 2725 | Guide Plate:Paper Feed Sensor | 7 - 10 |
| B189 2846 | Decal:Paper Tray:Display:3.4 | 17 - 9 |
| B189 2846 | Decal:Paper Tray:Display:3.4 | 5 - 1 |
| B189 2858 | Bracket:Paper End Sensor Board:Rear | 7 - 20 |
| B189 2860 | Bracket:Paper End Sensor:Rear:Auxiliary | 7 - 22 |
| B189 2872 | Guide Plate:Vertical Transport | 13 - 2 |
| B189 2934 | Inner Cover:Left:Lower Position | 5 - 27 |
| B189 5764 | Harness:Lower Paper Feed:Option | 3 - 15 |
| B189 5833 | Harness:Lower Paper Feed:Option1 | 7 - 8 |
| B189 5840 | Harness:DC:Lower Paper Feed:Option | 9 - 25 |
| B189 5842 | Harness:Lower Paper Feed:Option2 | 3 - 21 |
| B189 5891 | Harness:DC:Motor Control Board | 9 - 24 |
| B353 2765 | Roller Shaft | 15 - 9 |
| B353 2766 | Paper Holder Brake | 15 - 10 |
| B353 2767 | Brake Compression Spring | 15 - 11 |
| B353 2768 | Positioning Plate | 15 - 14 |
| B353 2771 | Roll Paper Holder | 15 - 7 |
| B353 2772 | Paper Holder Stopper | 15 - 3 |
| B353 2773 | Paper Holder Lock Lever | 15 - 1 |
| B353 2774 | Arm Stopper Pawl | 15 - 4 |
| B353 2775 | Paper Holder Pawl | 15 - 8 |
| B353 2776 | Lock Compression Spring | 15 - 5 |
| B353 2777 | Upper Arm Stopper Pawl | 15 - 6 |
| B353 2778 | Decal - Paper Holder Chart | 15 - 2 |
| B353 2778 | Decal - Paper Holder Chart | 17 - 2 |
| B641 2794 | Holder:Paper Holder:Middle | 7 - 18 |

| Part No. | Description | Page and Index No. |
|-----------|-----------------------------------|--------------------|
| AA00 0646 | Decal:Cutter:Caution Chart:EXP | 13 - 3 |
| AA00 0646 | Decal:Cutter:Caution Chart:EXP | 17 - 1 |
| AA06 0854 | Tightener Spring | 9 - 17 |
| AA06 0974 | Spring:Pressure:Brush Roller | 5 - 13 |
| AA06 0975 | Spring:Middle:Pressure | 11 - 5 |
| AA06 0976 | Spring:Connector | 3 - 17 |
| AA06 3122 | Exit Roller Spring | 5 - 12 |
| AA06 3612 | Compression Spring - Tray Release | 3 - 11 |
| AA06 6368 | Spring - Exit | 11 - 13 |
| AA08 0037 | Bushing - 6mm | 11 - 4 |
| AA08 0049 | Bushing - 10x18 | 3 - 4 |
| AA08 0203 | Bushing - 6mm | 5 - 10 |
| AA14 3253 | Pin - Lever - Paper Spool Unit | 3 - 18 |
| AA14 3718 | Stepped Screw - M4 | 3 - 8 |
| AA14 3718 | Stepped Screw - M4 | 5 - 19 |
| AA14 3788 | Pin:Guide Plate:Paper Feed | 11 - 1 |
| AB01 1412 | Gear - 36Z | 9 - 4 |
| AB01 1413 | Drive Gear - 27z | 7 - 6 |
| AB01 7527 | Gear Pulley - 37Z/40T | 9 - 5 |
| AB03 0677 | Pulley - 23MM | 9 - 13 |
| AB03 0678 | Timing Pulley - 25T | 9 - 15 |
| AB03 0679 | Timing Pulley - 32T | 9 - 29 |
| AF02 0108 | Paper Feed Roller - Middle | 11 - 6 |
| AF02 0109 | Paper Feed Roller - Side | 11 - 12 |
| AF02 0525 | Exhaust Drive Roller | 7 - 7 |
| AF02 2034 | Exit Roller | 5 - 11 |
| AG07 0514 | Magnet Catch:Ass'y | 15 - 13 |
| AW01 0110 | Paper Feed Sensor | 11 - 8 |
| AW01 0111 | Paper Feed Sensor | 7 - 11 |
| AW01 0121 | Paper End Sensor | 3 - 19 |
| AW01 0121 | Paper End Sensor | 7 - 21 |
| AW02 0168 | Paper Feed Sensor | 9 - 1 |
| AW50 0012 | Push Switch | 9 - 8 |
| AW50 0029 | Safety Switch - FA1L-AA20 | 3 - 14 |
| AX06 0295 | Stepper Motor:MM56:DC24V | 9 - 20 |

| Part No. | Description | Page and Index No. |
|-----------|---------------------|--------------------|
| AX21 0091 | Registration Clutch | 9 - 10 |
| AX40 0188 | Heater:120V:13W | 7 - 16 |
| AX40 0188 | Heater:120V:13W | 5 - 20 |
| AX40 0189 | Heater:230V:13W | 5 - 20 |
| AX40 0189 | Heater:230V:13W | 7 - 16 |

| Part No. | Description | Page and Index No. |
|------------|---------------------------------|--------------------|
| 0353 0120N | Screw M3x12 | 7 - 104 |
| 0353 0120N | Screw M3x12 | 11 -104 |
| 0353 0140N | Screw:M3x14 | 11 -103 |
| 0451 3014N | Tapping Screw:3x14 | 5 - 105 |
| 0451 4008N | Tapping Screw:4x8 | 11 -101 |
| 0451 4008N | Tapping Screw:4x8 | 7 - 101 |
| 0451 4008N | Tapping Screw:4x8 | 3 - 101 |
| 0451 4008N | Tapping Screw:4x8 | 5 - 101 |
| 0451 4008N | Tapping Screw:4x8 | 9 - 101 |
| 0451 4008N | Tapping Screw:4x8 | 13 -101 |
| 0451 4010N | Tapping Screw:4x10 | 3 - 107 |
| 0451 4010N | Tapping Screw:4x10 | 9 - 102 |
| 0451 4010N | Tapping Screw:4x10 | 5 - 104 |
| 0451 4010N | Tapping Screw:4x10 | 7 - 103 |
| 0451 4014N | Tapping Screw:M4x14 | 3 - 111 |
| 0452 3010N | Binding Self-tapping Screw:3x10 | 15 -101 |
| 0452 3010N | Binding Self-Tapping Screw:3x10 | 5 - 106 |
| 0453 4008N | Binding Self Tapping Screw:4x8 | 5 - 103 |
| 0453 4008N | Binding Self Tapping Screw:4x8 | 9 - 103 |
| 0453 4010N | Binding Self Tapping Screw:4x10 | 11 -102 |
| 0454 3008Q | Tapping Screw:3x8 | 5 - 102 |
| 0701 0050N | Washer:Dia5 | 3 - 106 |
| 0707 4020N | Bushing:DIA4x2 | 5 - 109 |
| 0720 0040E | Retaining Ring - M4 | 5 - 108 |
| 0720 0040E | Retaining Ring - M4 | 11 -105 |
| 0720 0060E | Retaining Ring - M6 | 9 - 105 |
| 0720 0060E | Retaining Ring - M6 | 7 - 108 |
| 0725 0140E | Retaining Ring (C Type) - M14 | 3 - 102 |
| 0740 3008 | Ball Bearing - 8x22x7 | 15 -102 |
| 0802 5291 | Tapping Screw:Round Point:M3x6 | 7 - 110 |
| 0802 5291 | Tapping Screw:Round Point:M3x6 | 3 - 105 |
| 0950 4006N | Screw:Spring Washer:M4x6 | 7 - 102 |
| 0950 4006N | Screw:Spring Washer:M4x6 | 3 - 108 |
| 0951 3006N | Screw - M3X6 | 9 - 104 |
| 0951 4006N | Screw:Polished Round:M4x6 | 3 - 103 |

| Part No. | Description | Page and Index No. |
|------------|-----------------------------------|--------------------|
| 0954 5010N | Screw:Polished Round/Spring:M5x10 | 3 - 104 |
| 1105 0329 | Clamp - ES-0510 | 11 -108 |
| 1105 0487 | Harness Clamp | 9 - 109 |
| 1105 0487 | Harness Clamp | 11 -110 |
| 1105 0511 | Harness Clamp - LWS-0306ZC | 9 - 106 |
| 1105 0511 | Harness Clamp - LWS-0306ZC | 13 -104 |
| 1105 0511 | Harness Clamp - LWS-0306ZC | 7 - 106 |
| 1105 0511 | Harness Clamp - LWS-0306ZC | 11 -107 |
| 1105 0516 | Clamp | 13 -103 |
| 1105 0516 | Clamp | 7 - 109 |
| 1105 0516 | Clamp | 11 -106 |
| 1105 0516 | Clamp | 9 - 107 |
| 1105 0517 | Harness Clamp - LWS-2111Z | 3 - 109 |
| 1105 0518 | Edge Saddle - LES-1010 | 3 - 110 |
| 1105 0522 | Edge Saddle - LES0510 | 13 -102 |
| 1105 0522 | Edge Saddle - LES0510 | 7 - 107 |
| 1106 0411 | Bushing - 11.5mm | 11 -109 |
| 1106 0493 | Edging | 9 - 108 |
| 1204 2466 | Micro Switch - V-16506-1c25 | 5 - 107 |
| 1204 2499 | Switch:AC250V/10A | 7 - 105 |

| Part No. | Description | Page and Index No. |
|-----------|----------------|--------------------|
| 5053 0223 | Bushing - 8mm | 5 - 18 |
| 5053 0223 | Bushing - 8mm | 7 - 5 |
| 5053 0223 | Bushing - 8mm | 9 - 3 |
| 5215 2621 | Snap Ring - M6 | 9 - 12 |
| 5403 1030 | Tension Spring | 5 - 16 |
| 5918 3120 | Stud - M4 | 3 - 5 |
| 5918 3120 | Stud - M4 | 7 - 17 |
| 5918 3120 | Stud - M4 | 11 - 2 |